



# KPW-RDP-7A/18A



## Industrial-rated Redundant DC Power Input Adapter

### KPW-RDP-7A:

Support current of DC power up to 7Amp

### KPW-RDP-18A:

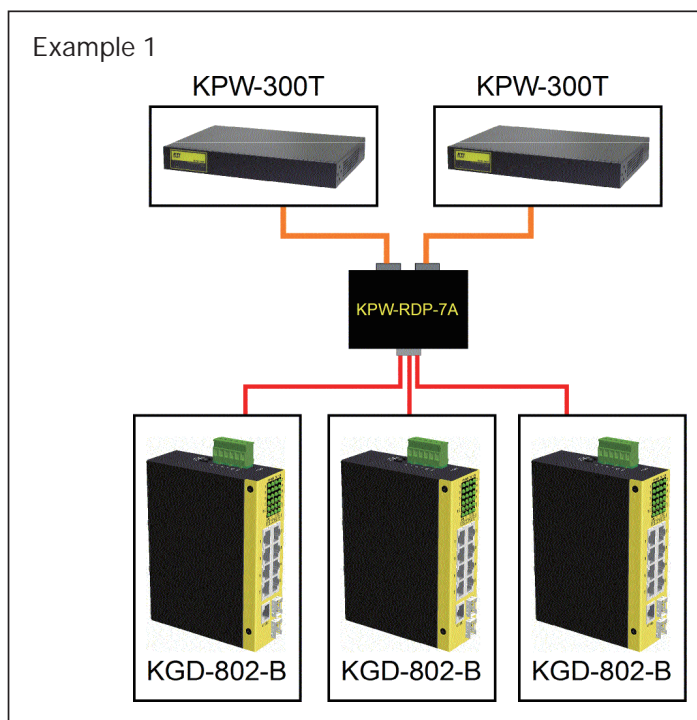
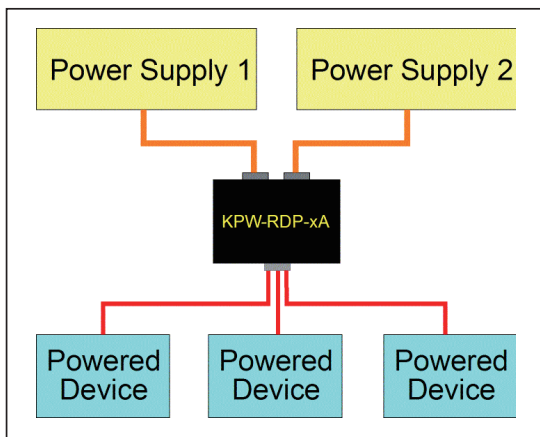
Support current of DC power up to 18Amp

### Specifications:

DC IN Power A	Voltage range	+12VDC ~ +62VDC
	Current rating	KPW-RDP-7A: 7Amp max. KPW-RDP-18A: 18Amp max.
	Contacts	$V_{inA+} / V_{inA-}$
DC IN Power B	Voltage range	+12VDC ~ +62VDC
	Current rating	KPW-RDP-7A: 7Amp max. KPW-RDP-18A: 18Amp max.
	Contacts	$V_{inB+} / V_{inB-}$
DC OUT	Voltage range	+12VDC ~ +62VDC
	Current rating	KPW-RDP-7A: 7Amp max. KPW-RDP-18A: 18Amp max.
	$V_{out+}$	3 Contacts
	$V_{out-}$	3 contacts
LED Indication	DC OUT Power status	
PE Contact	Frame ground	
Protection	Over-current	KPW-RDP-7A: 10Amp max.
		KPW-RDP-18A: 25Amp max.
Isolation	Frame ground vs. DC IN lines: 10MΩ/DC500V, Frame ground vs. DC OUT lines: 10MΩ/DC500V,	
Mounting Support	DIN-Rail mount bracket, Panel mount bracket(Optional)	
Dimension	130mm x 130mm x 43mm (WxDxH)	
Environment	Operating temperature:	-30°C ~ 70°C
	Storage temperature:	-40°C ~ 85°C
	Humidity:	5%~95% non-condensing
Compliance	FCC Class A, CE mark EMC Class A	
Test	Vibration IEC 60068-2-6	



## Applications:



FCC Part 15, Class A  
CISPR 22 Class A

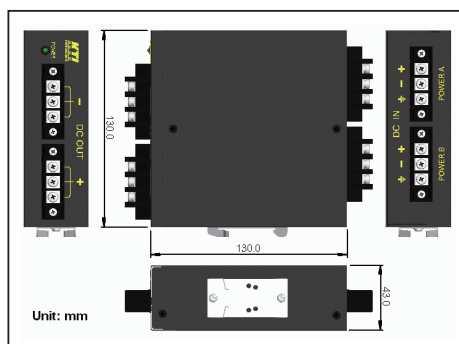
### Katron Technologies Inc.

15F-7, No. 79, Sec. 1, Hsin Tai Wu Rd.,  
Hsi-chih District, New Taipei City, Taiwan  
Tel: 886-2-2698-3878  
Fax: 886-2-2698-3873  
E-mail: [kti@ktinet.com.tw](mailto:kti@ktinet.com.tw)  
URL: <http://www.ktinet.com.tw>

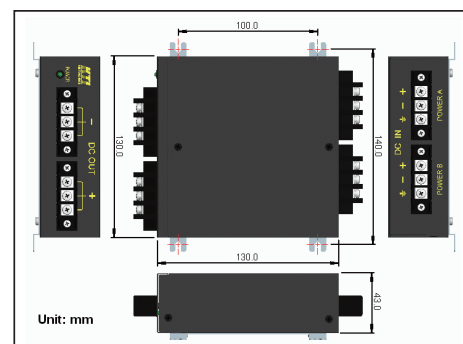
### KTi Networks Inc.

10415-A Westpark Drive, Houston,  
TX 77042, U.S.A.  
Tel: 1-713-266-3891  
Fax: 1-713-914-0555  
E-mail: [contact@ktinet.com](mailto:contact@ktinet.com)  
URL: <http://www.ktinet.com>

Trademarks: All brand names are trademarks or registered  
trademarks of their respective holders.  
This information is subject to change without prior notice.



DIN-Rail Dimension



Panel Dimension